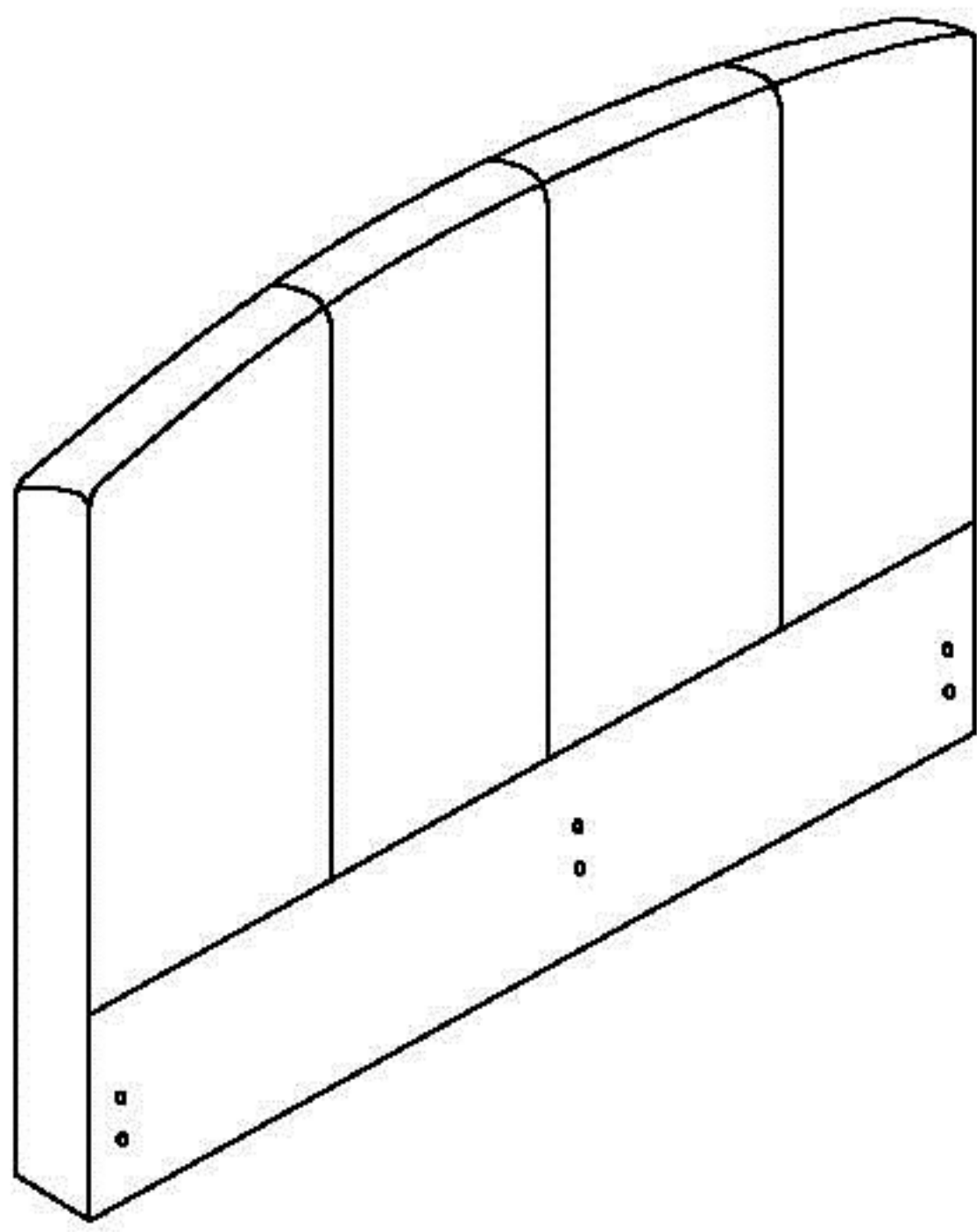
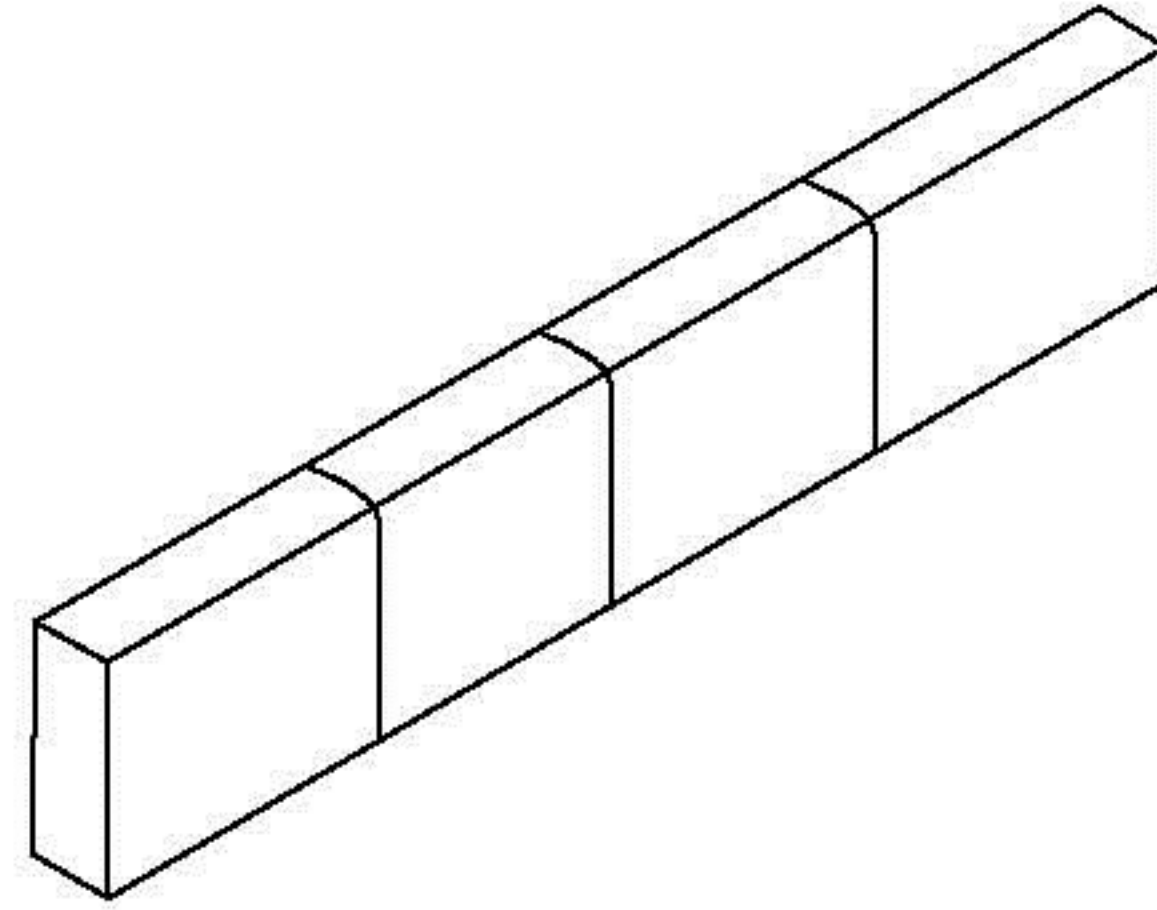


# ASSEMBLY INSTRUCTION

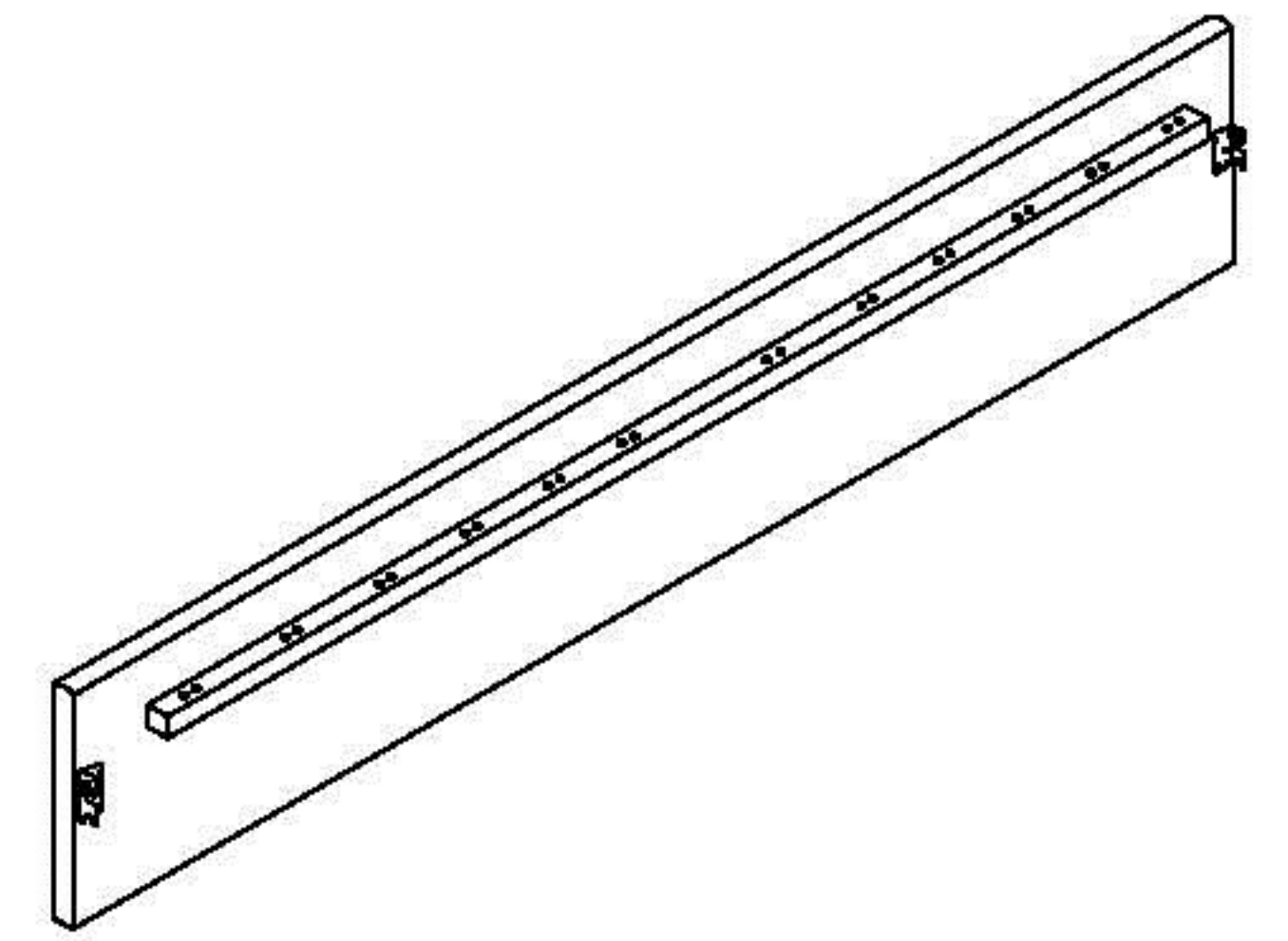
## DH-B9535



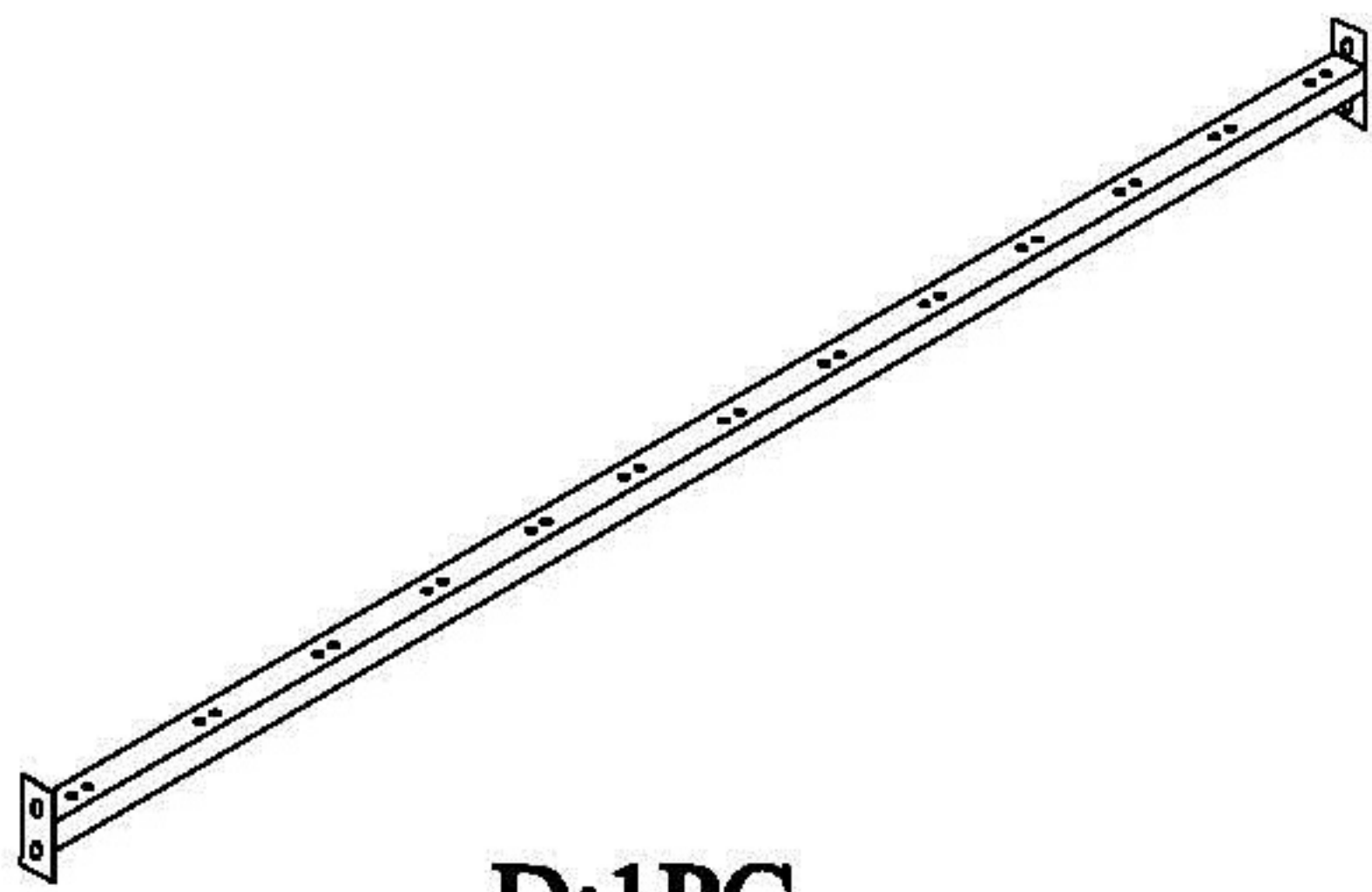
A:1PC



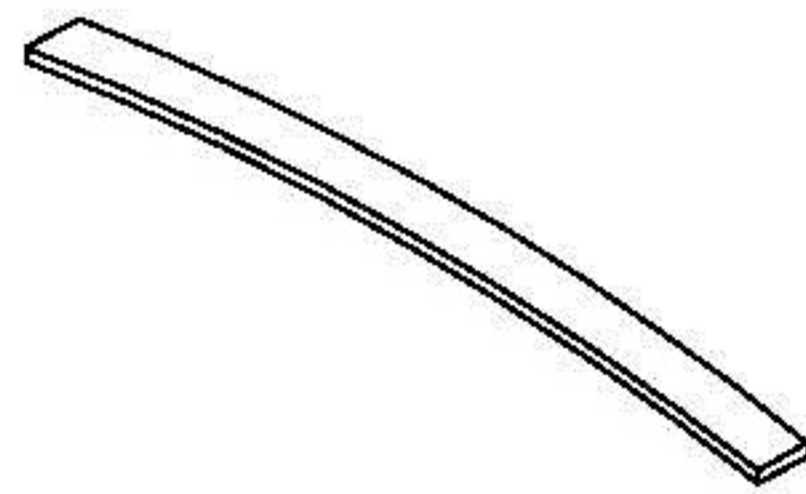
B:1PC



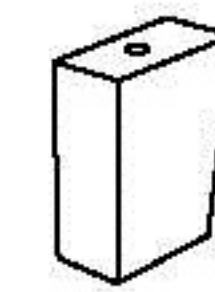
C:2PCS



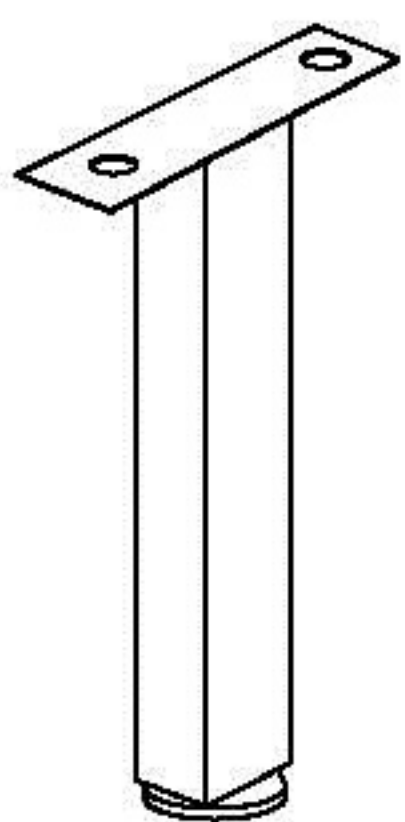
D:1PC



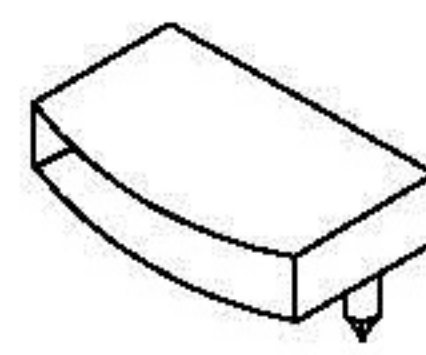
E:26PCS



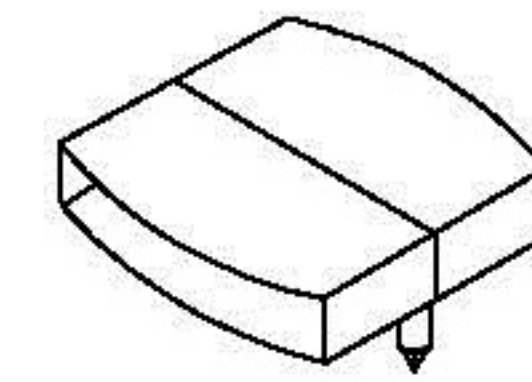
F:4PCS



G:2PCS



H:26PCS



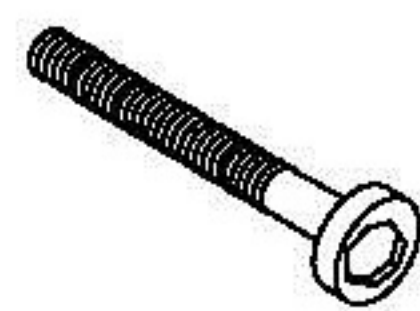
I:13PCS

## HARDWARE LIST:



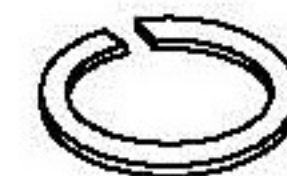
5/16"\* 35MM

① 16PCS



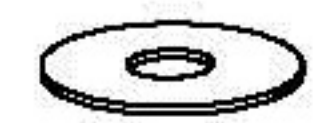
5/16"\*75MM

② 4PCS



5/16"

③ 16PCS



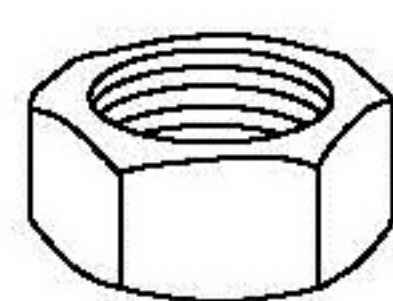
5/16"

④ 16PCS



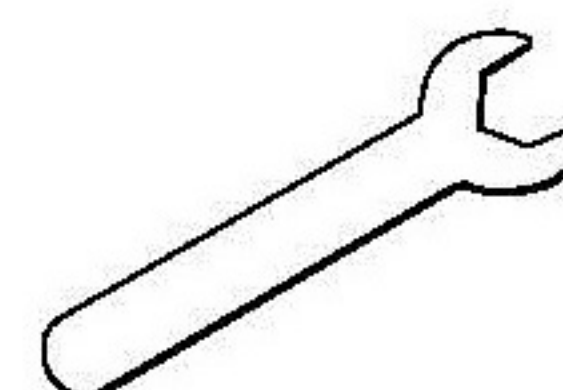
5/16"

⑤ 1PC



5/16"

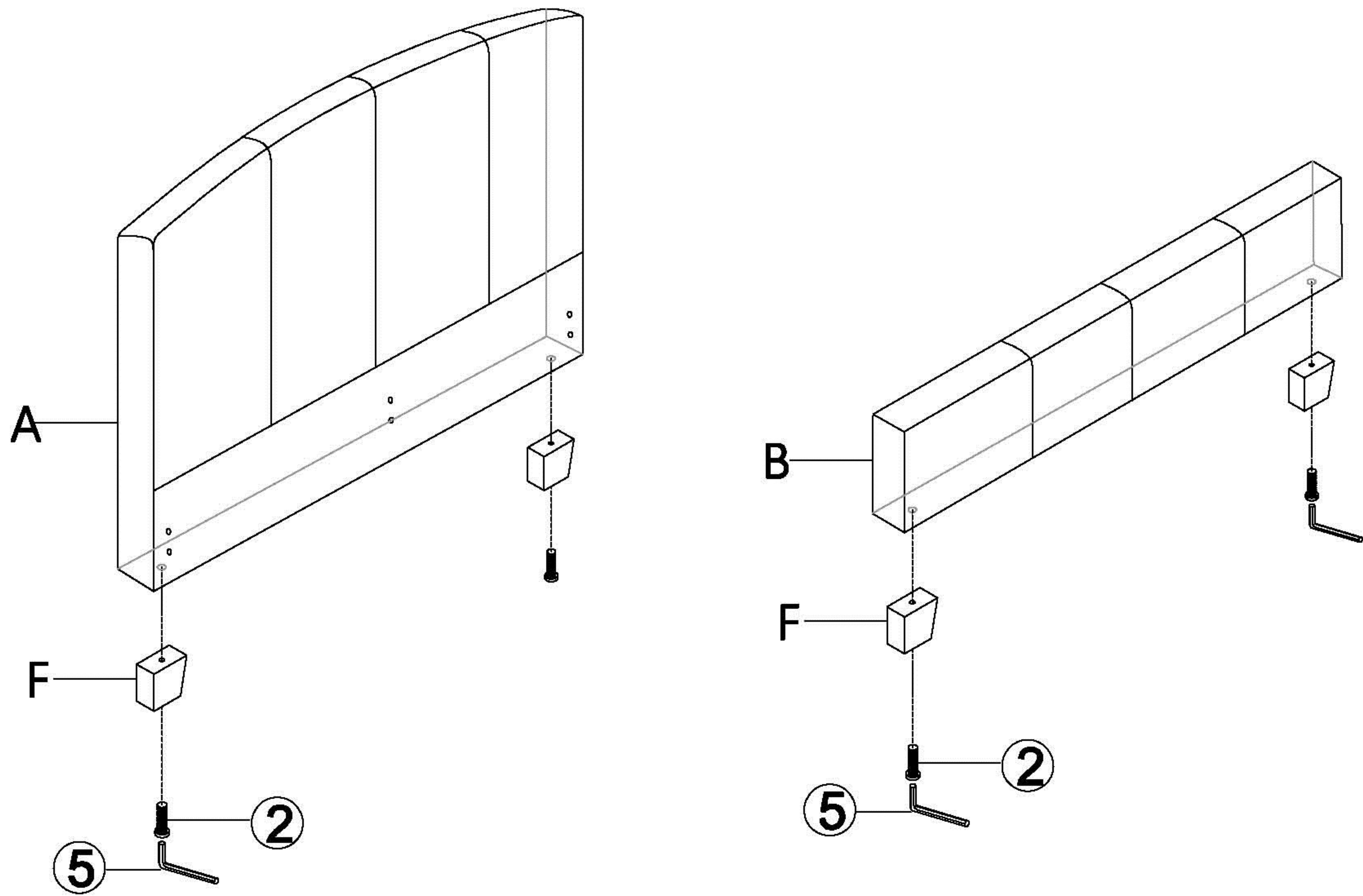
⑥ 4PCS



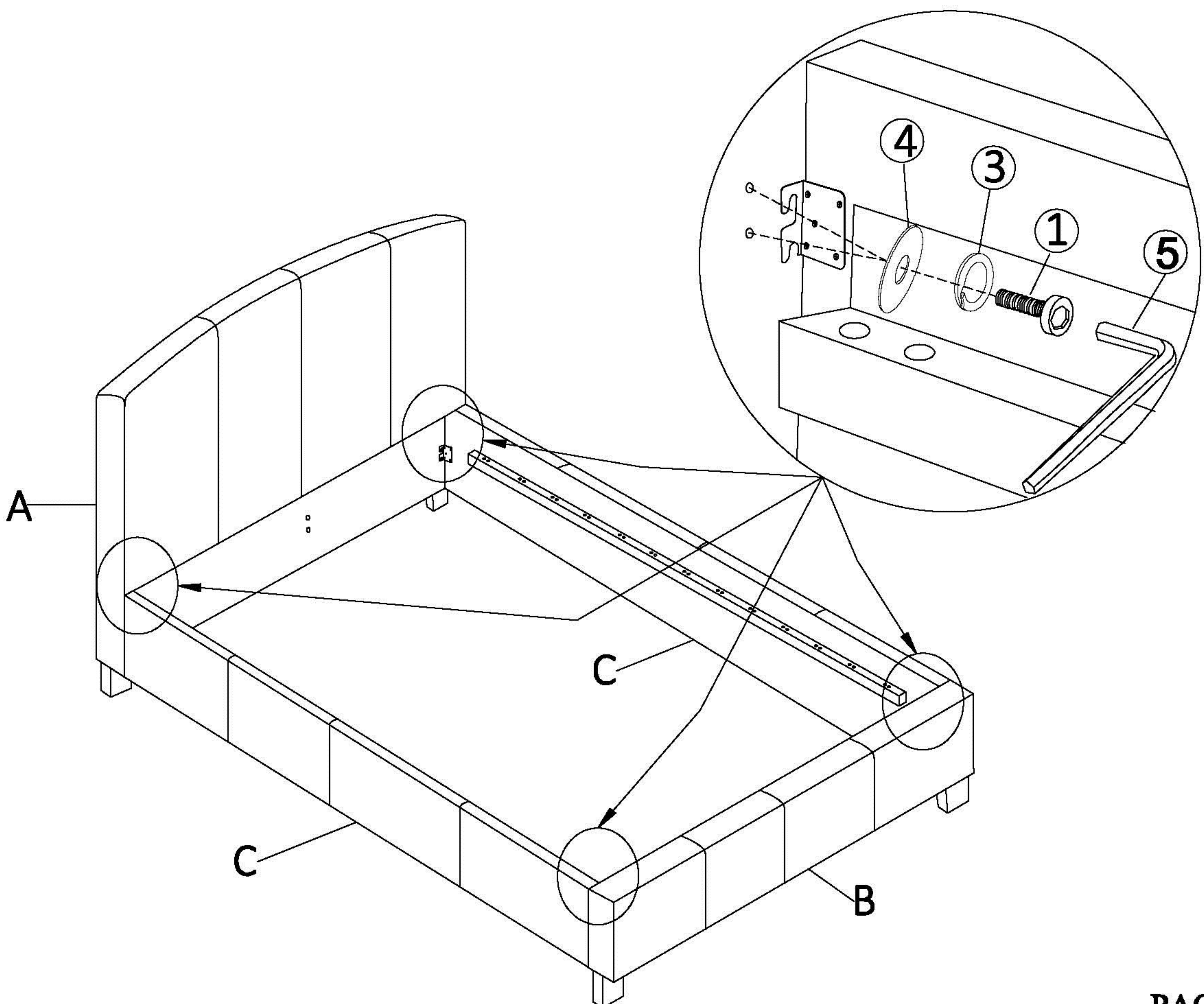
5/16"

⑦ 1PC

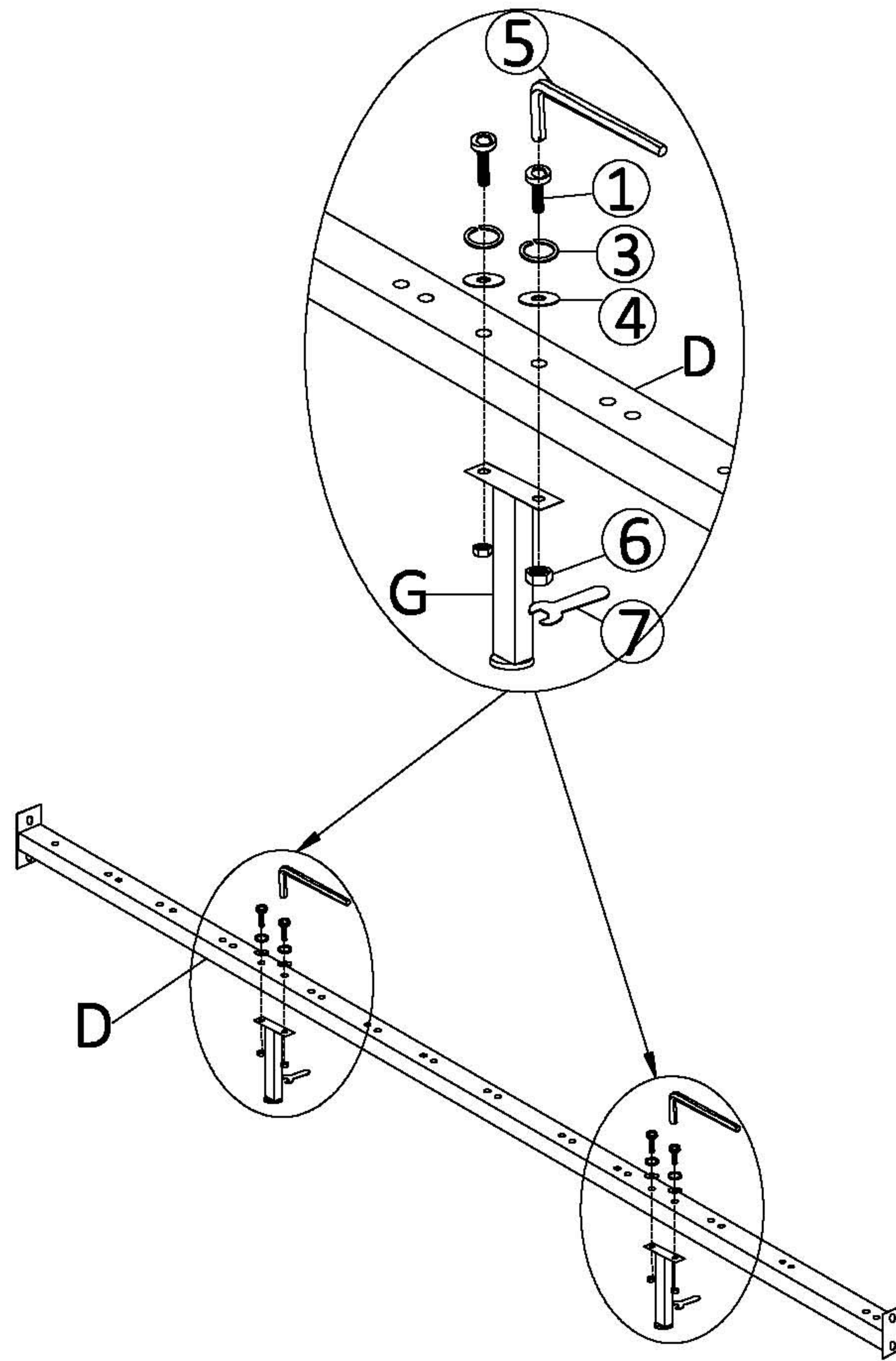
Step 1:



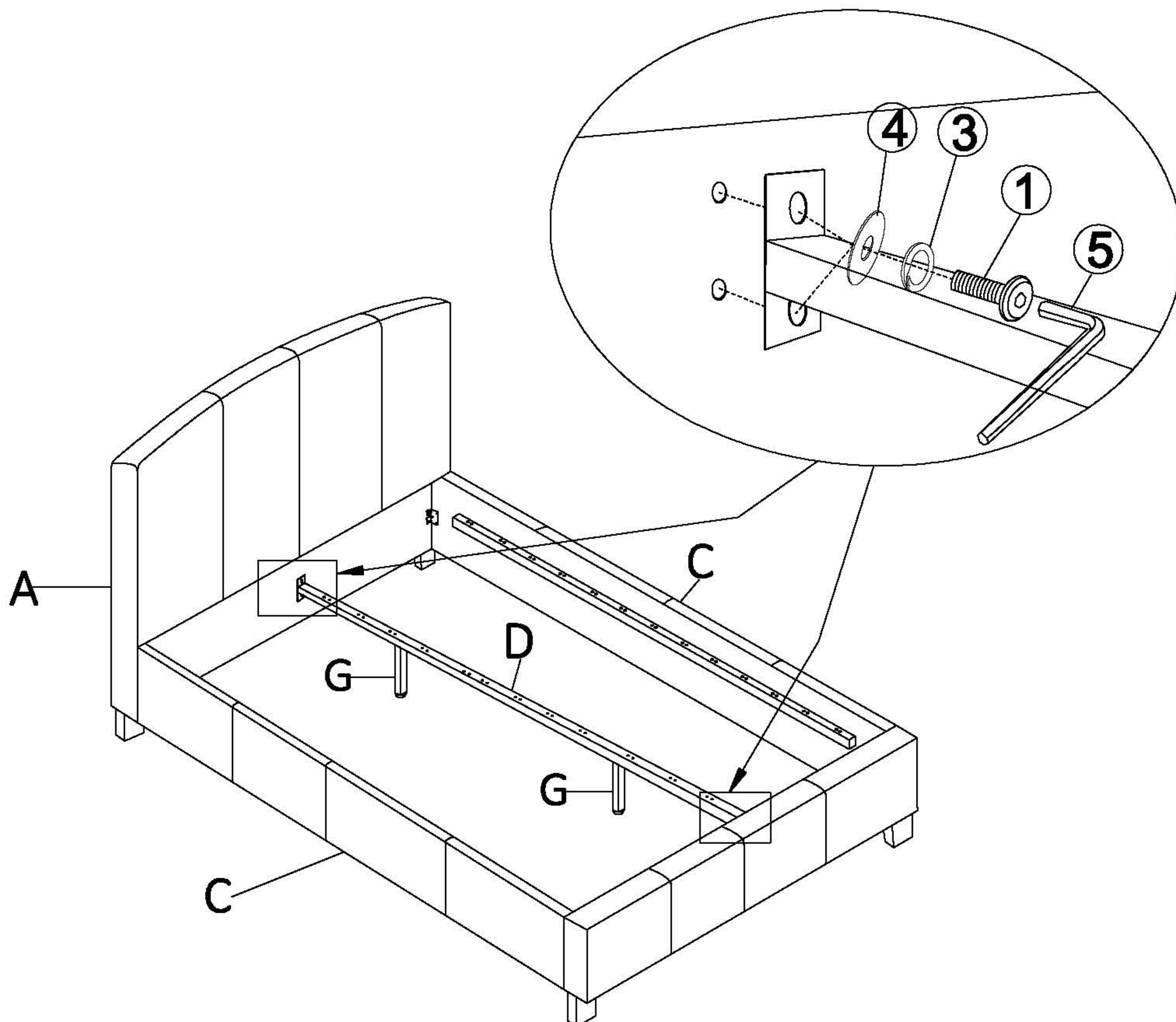
Step 2:



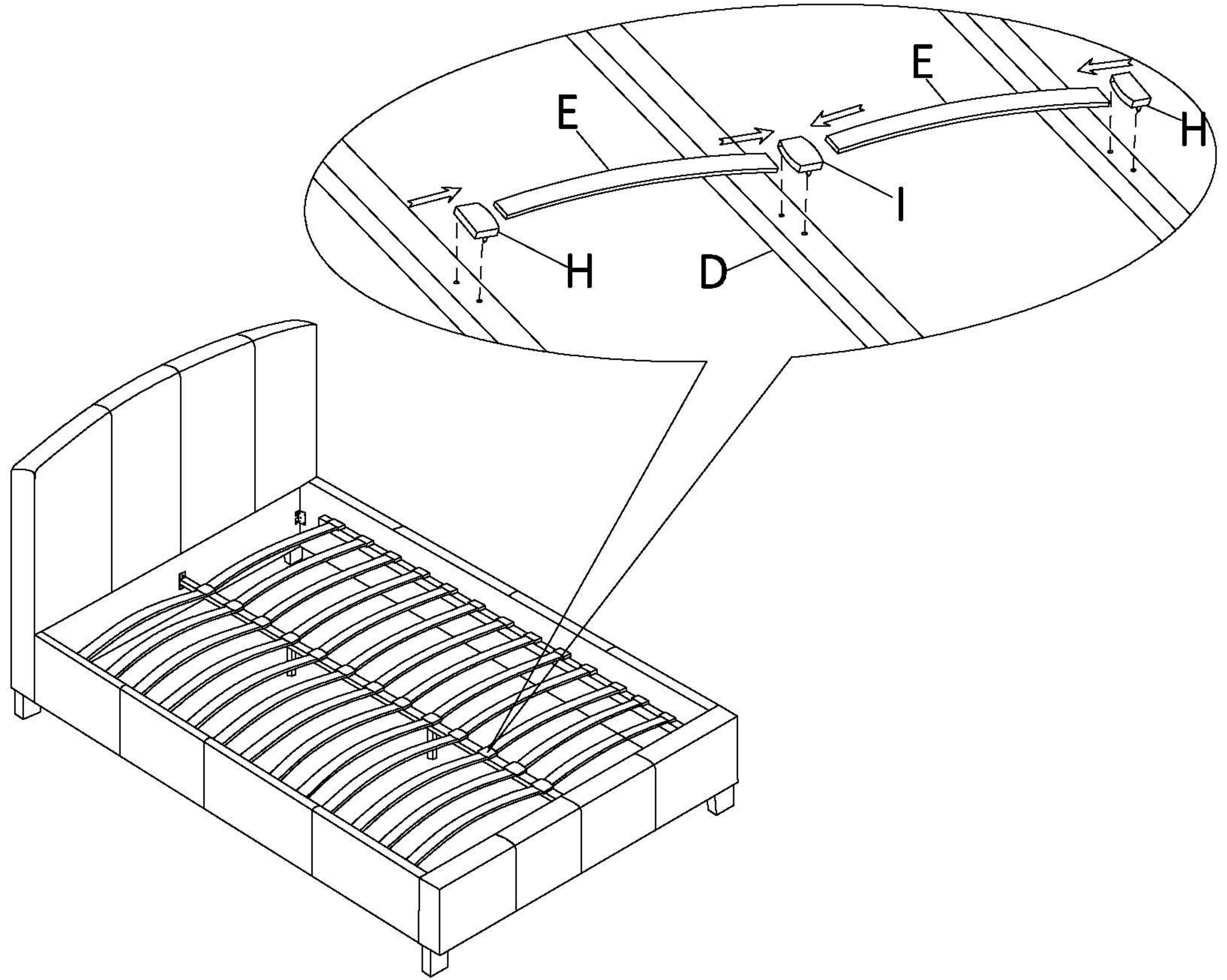
Step 3:



Step 4:



**Step 5:**



**Step 6:**

