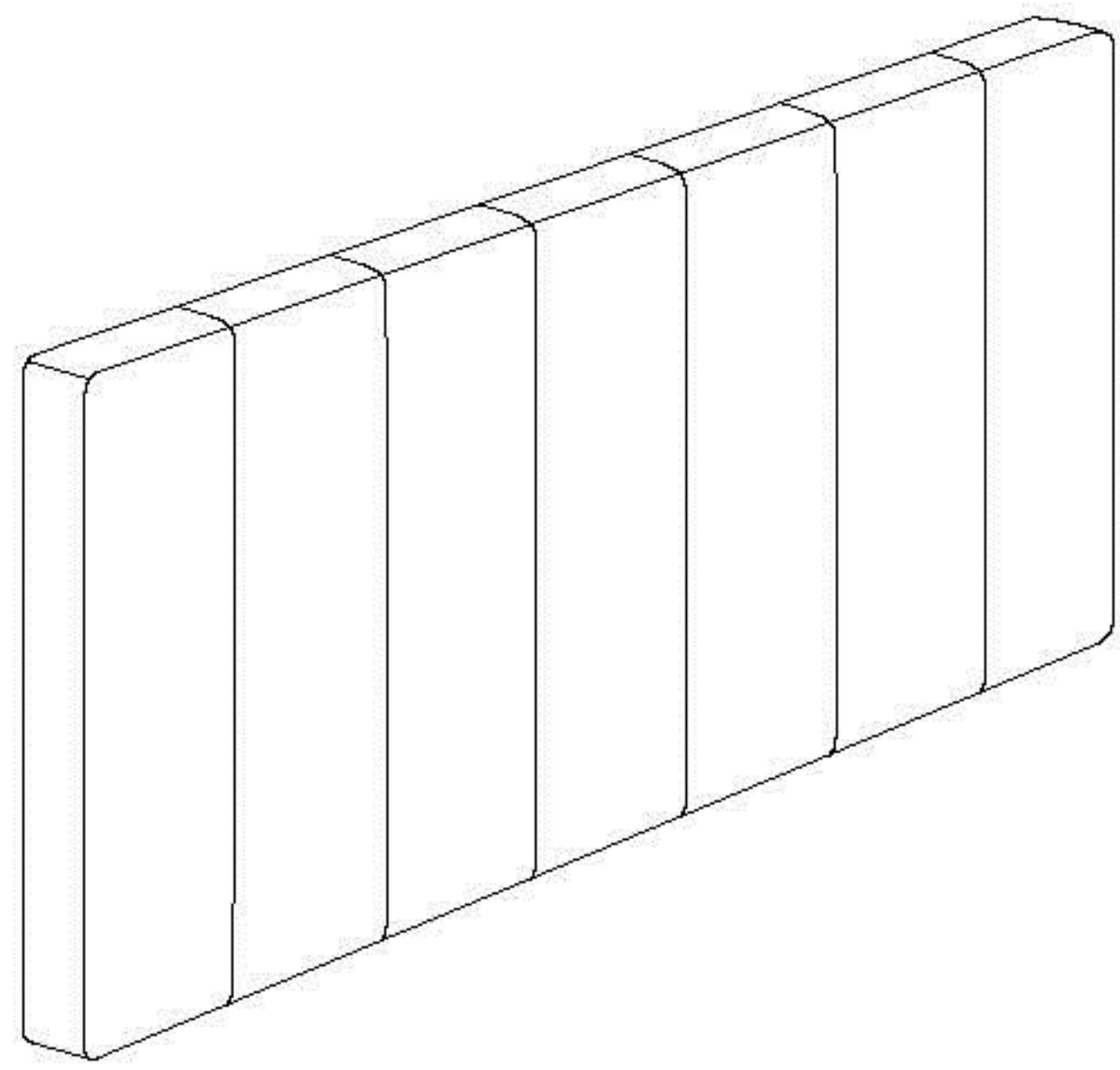
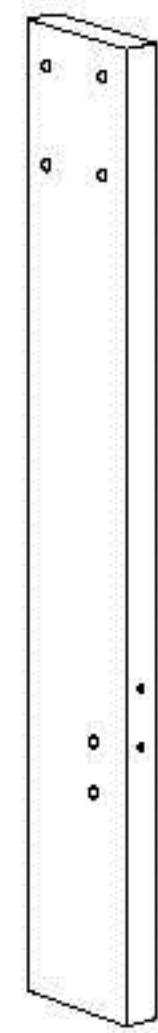


ASSEMBLY INSTRUCTION

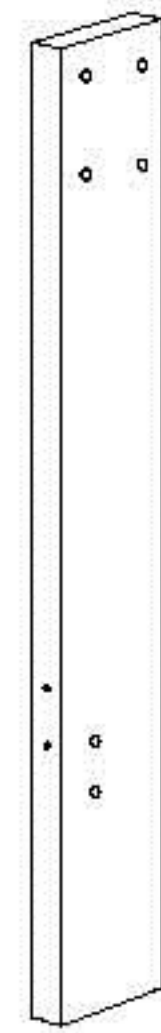
DH-B9505



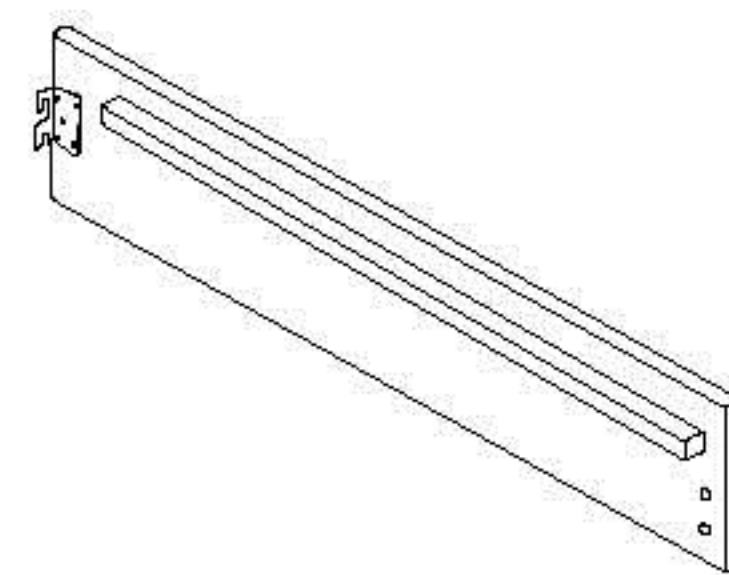
A*1PC



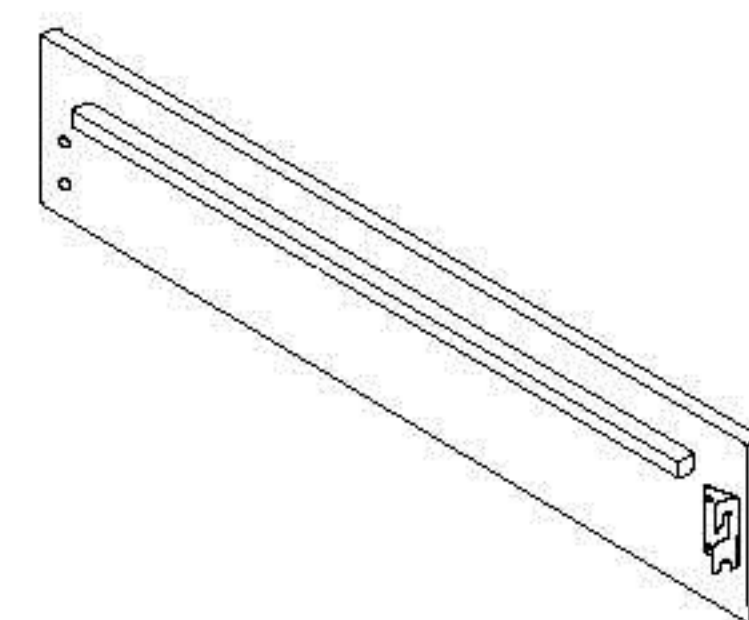
B*1PC



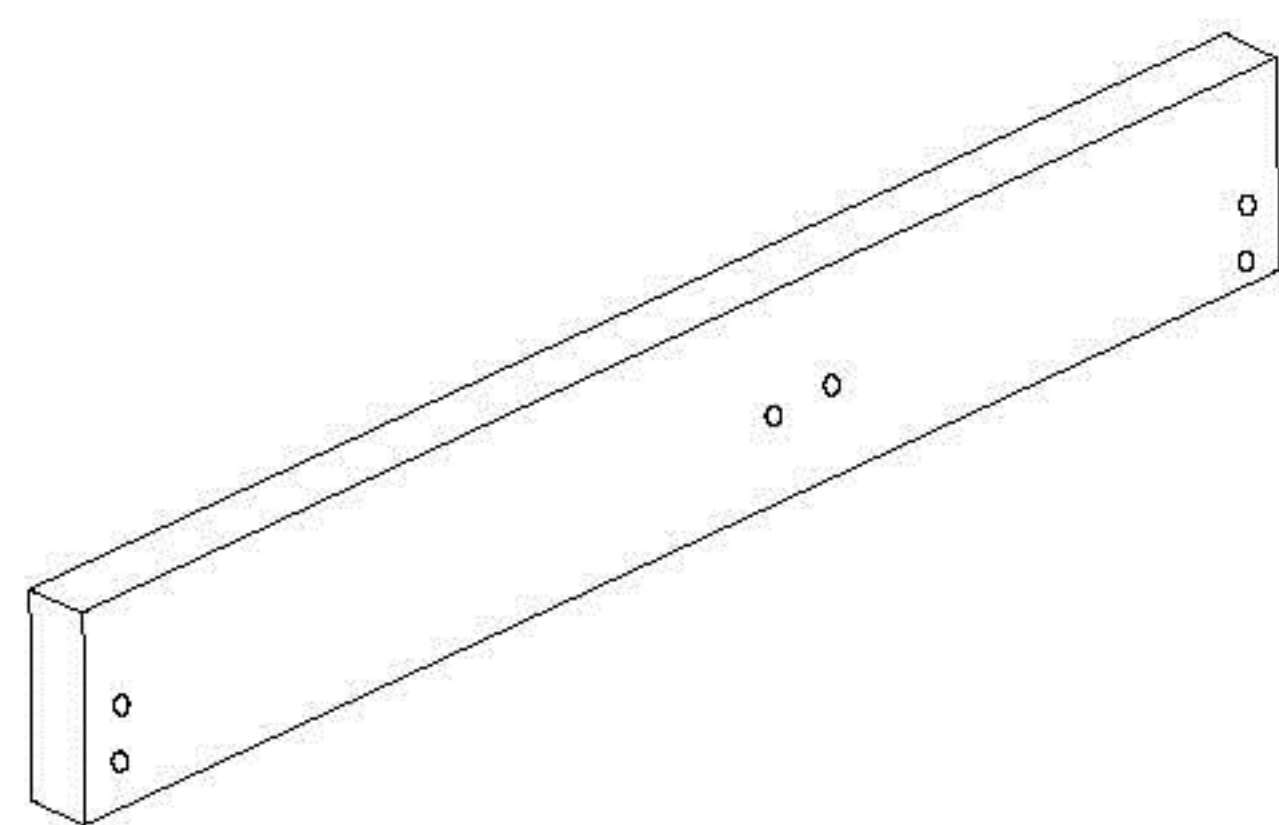
C*1PC



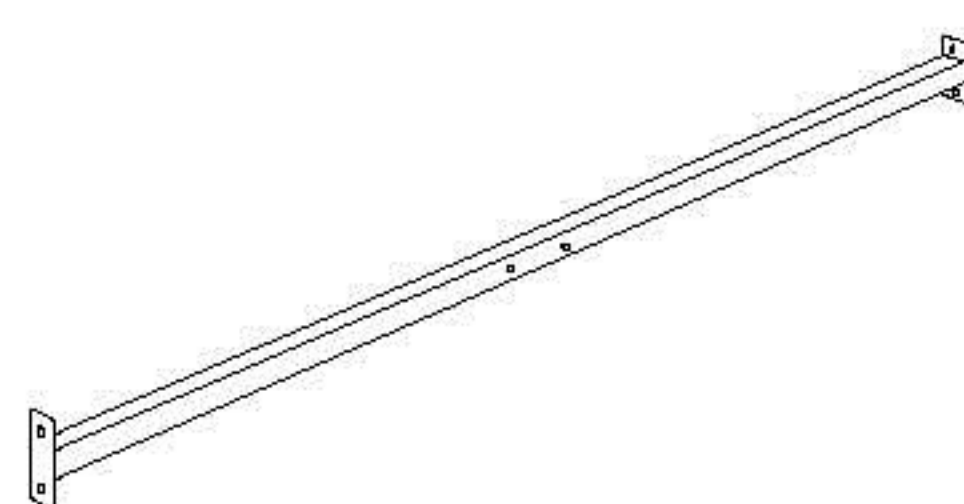
D*2PCS



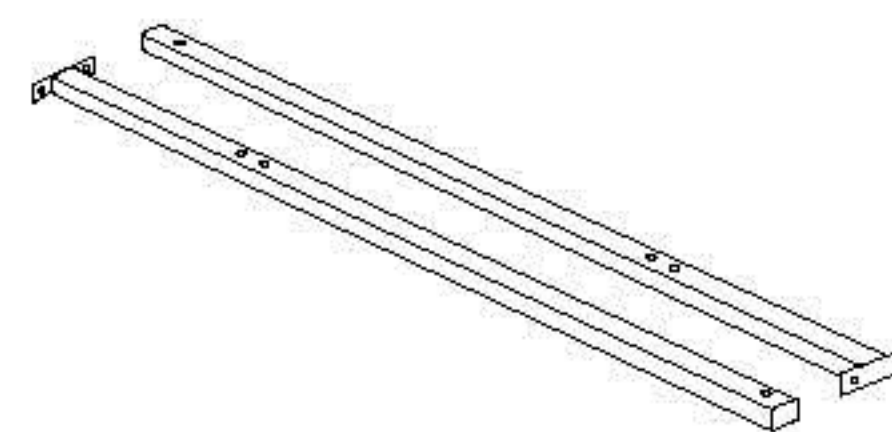
E*2PCS



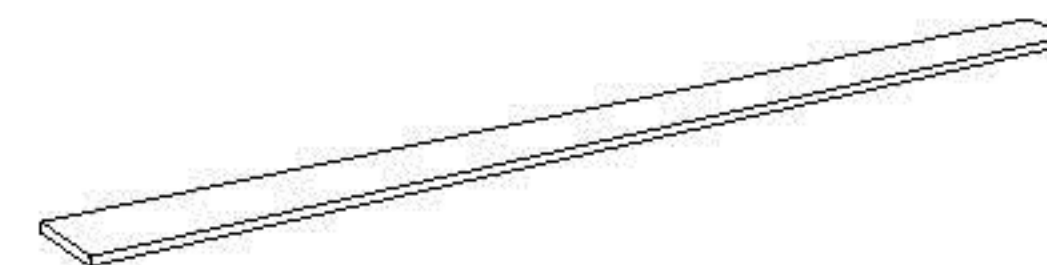
F*1PC



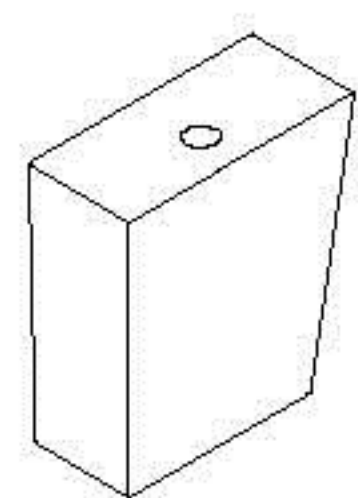
G*1PC



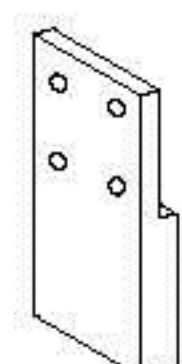
H*2PCS



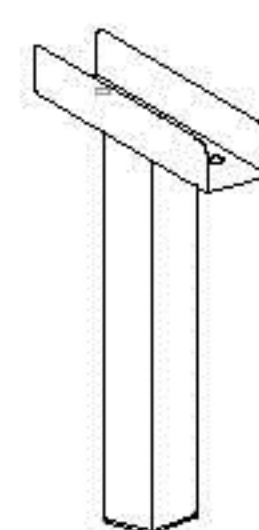
I*12PCS



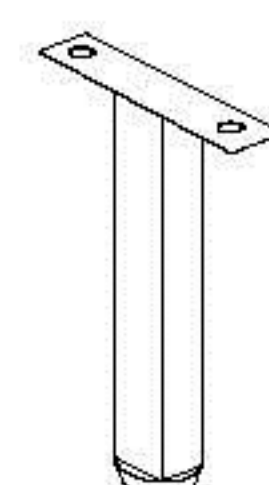
J*2PCS



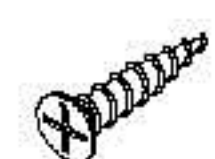
K*2PCS



L*1PC



M*2PCS



30mm

N*24PCS



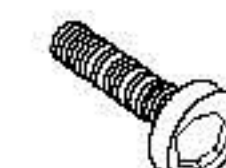
5/16"*20MM

O*4PCS



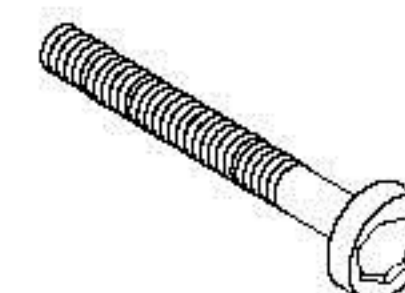
5/16"*30MM

P*26PCS



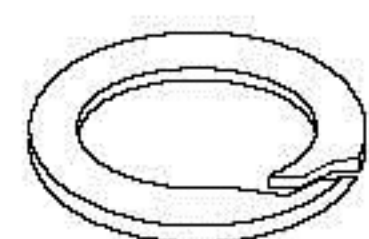
5/16"*65MM

Q*8PCS

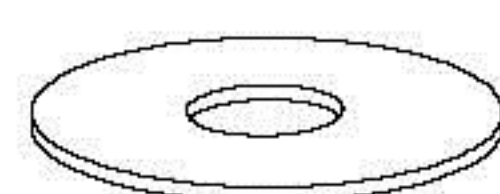


5/16"*75MM

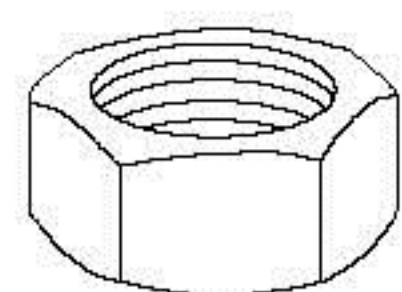
S*2PCS



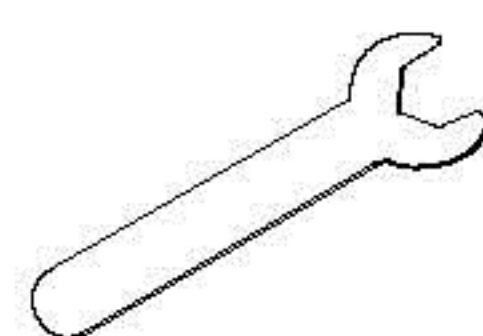
T*32PCS



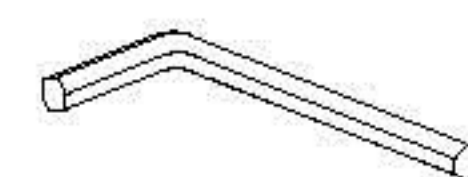
U*48PCS



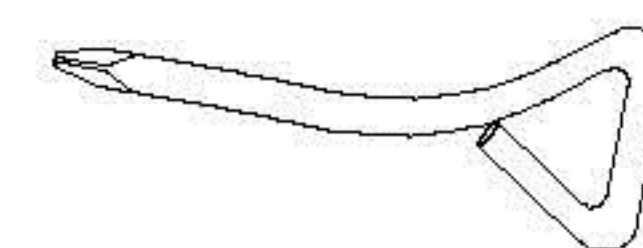
V*8PCS



W*1PC

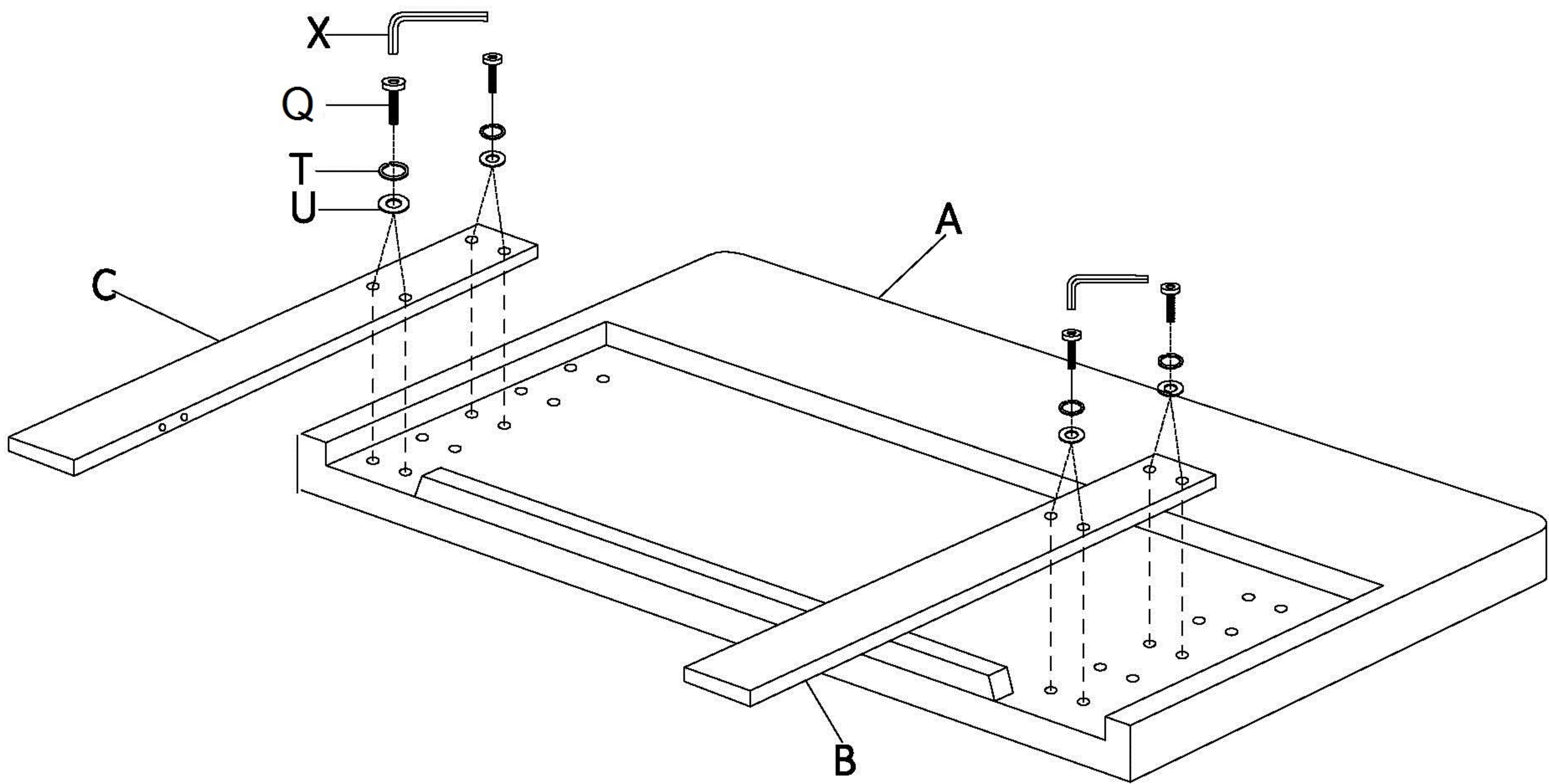


X*1PC

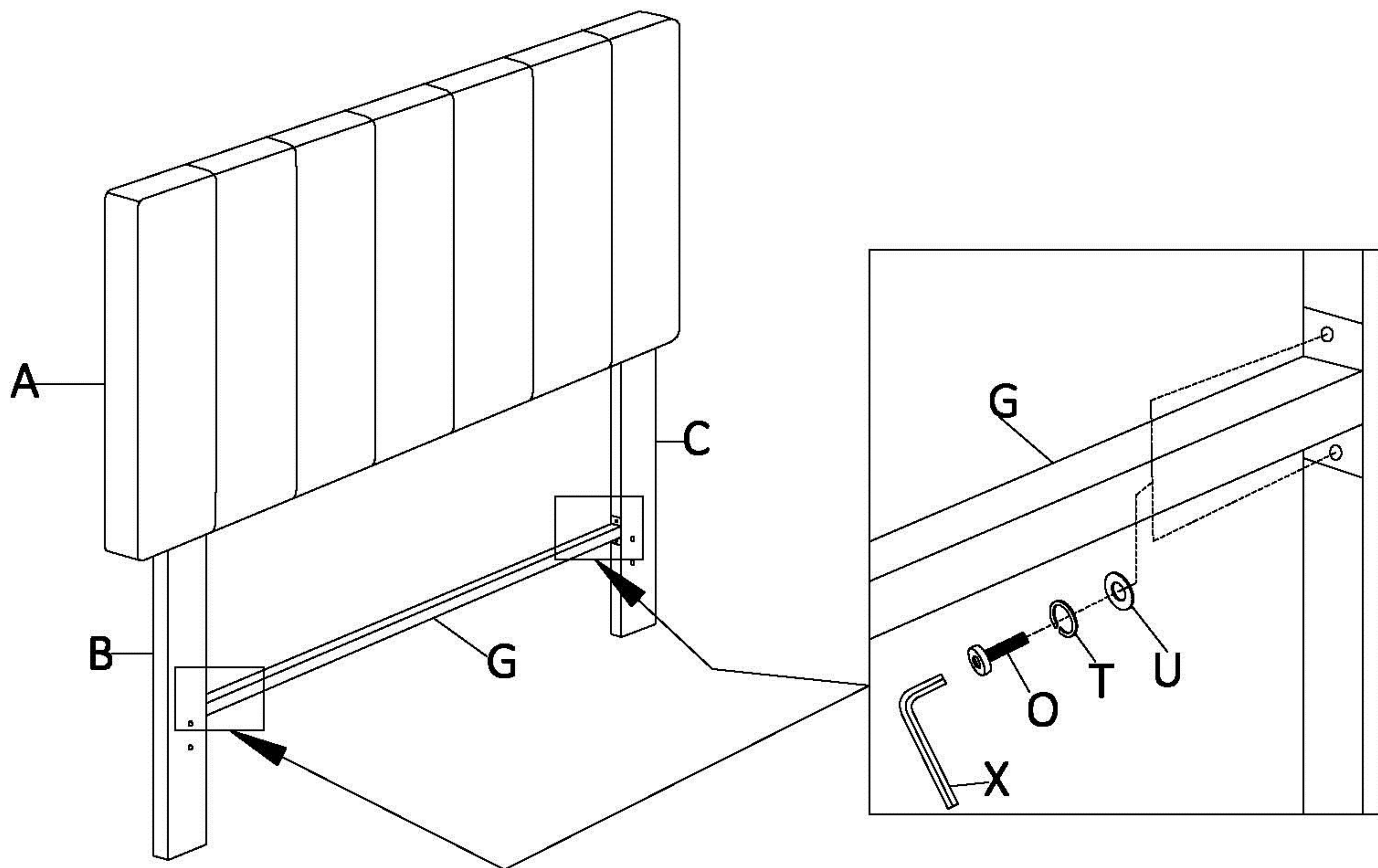


Y*1PC

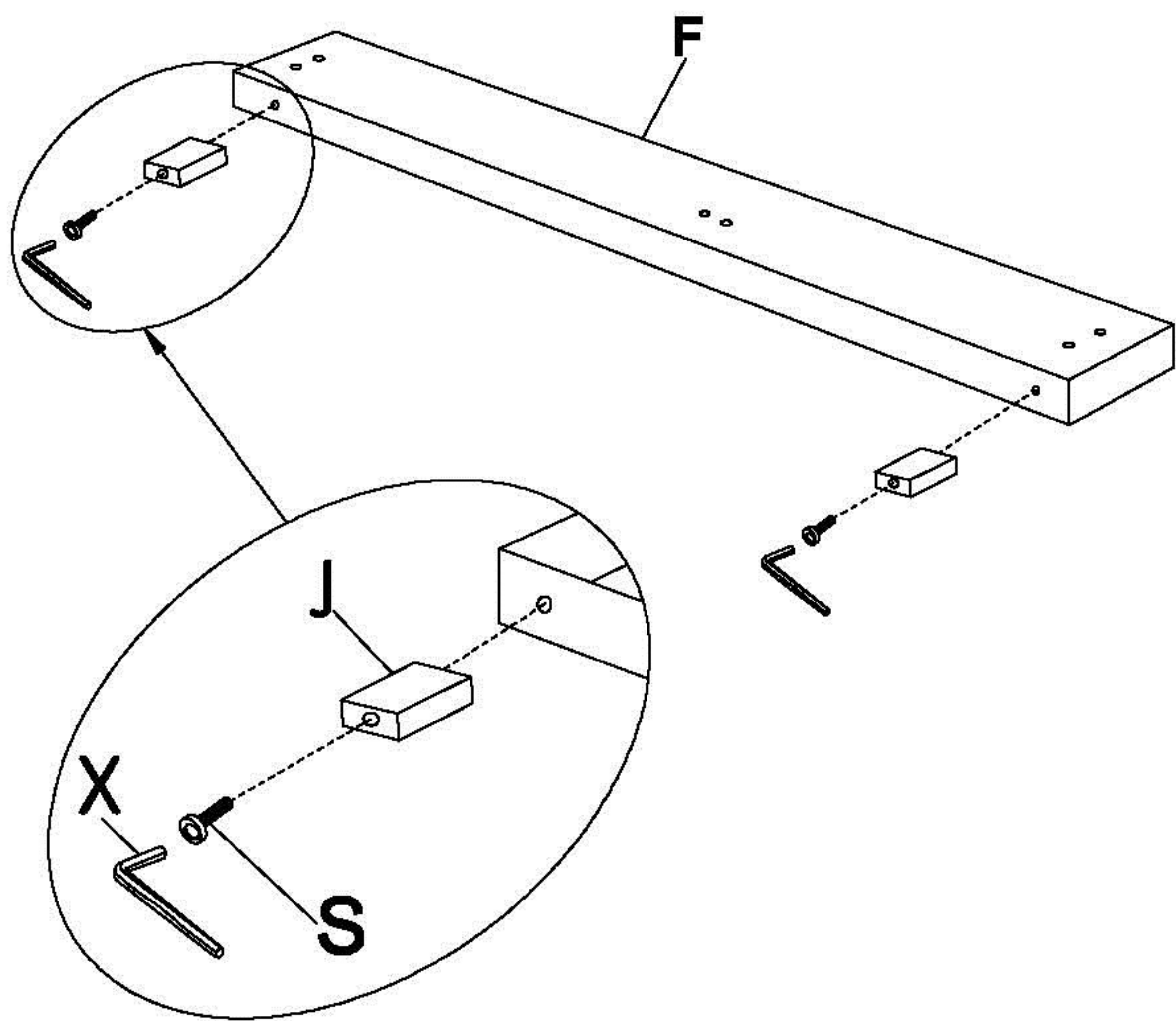
1▷



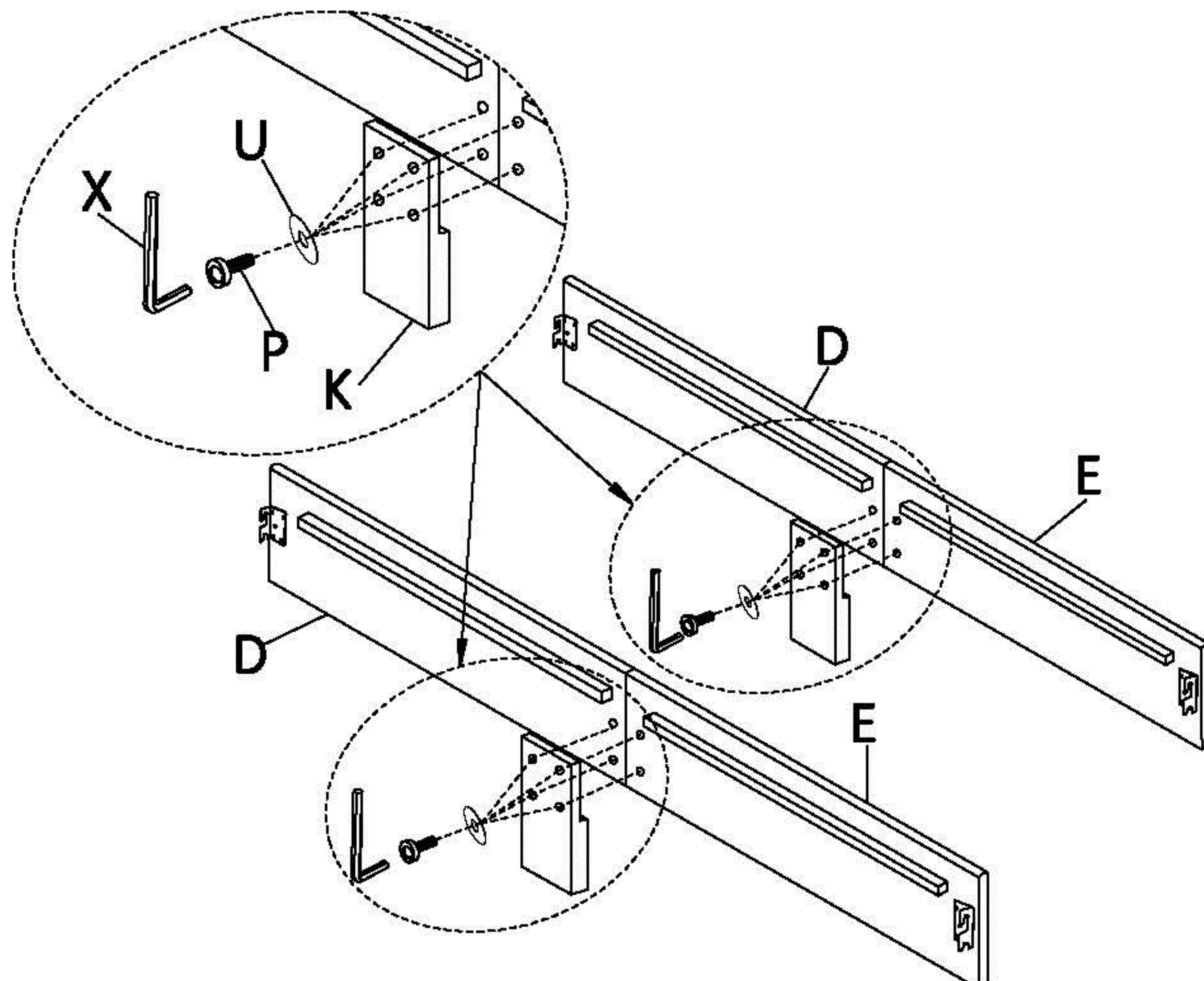
2▷



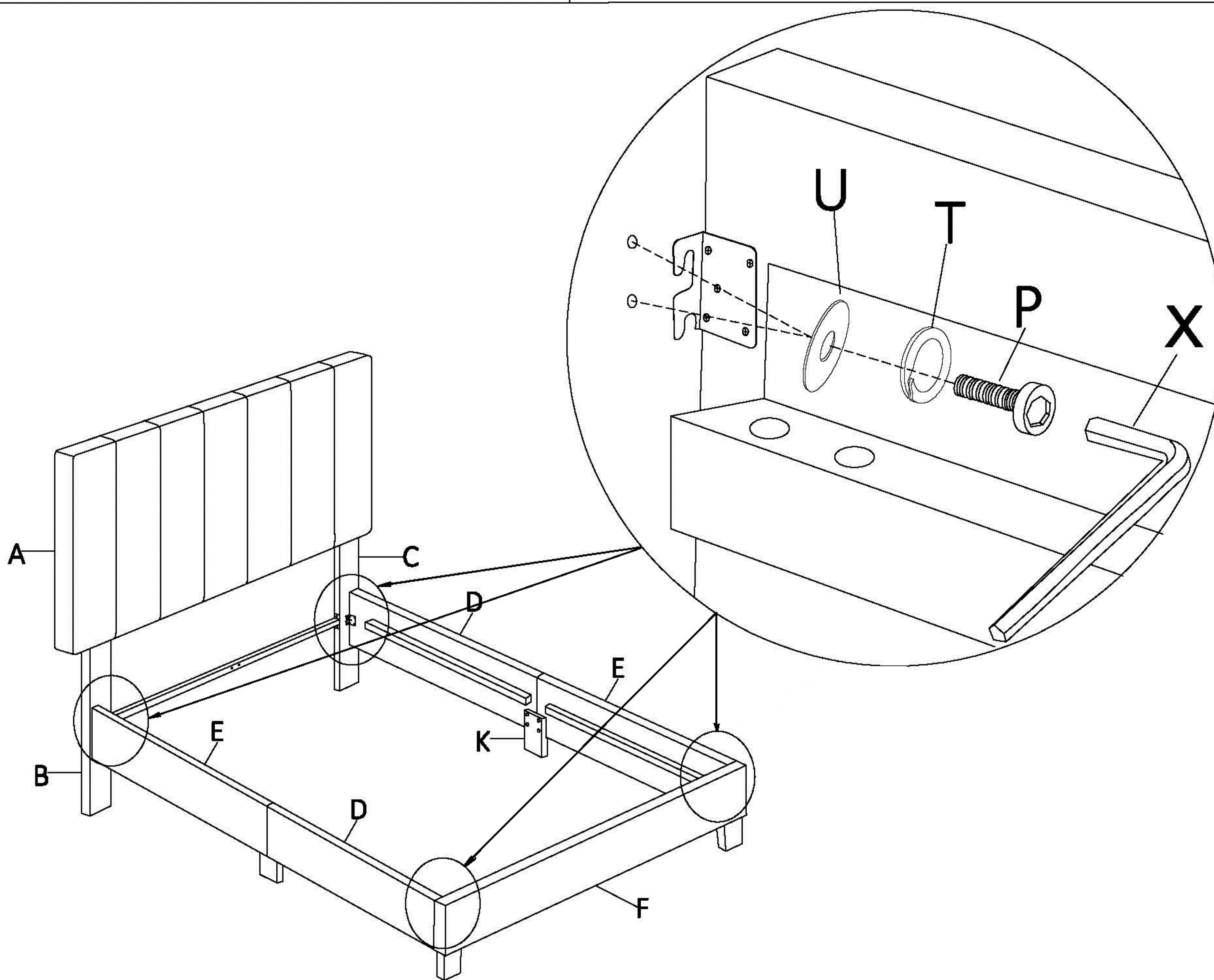
3 ▷



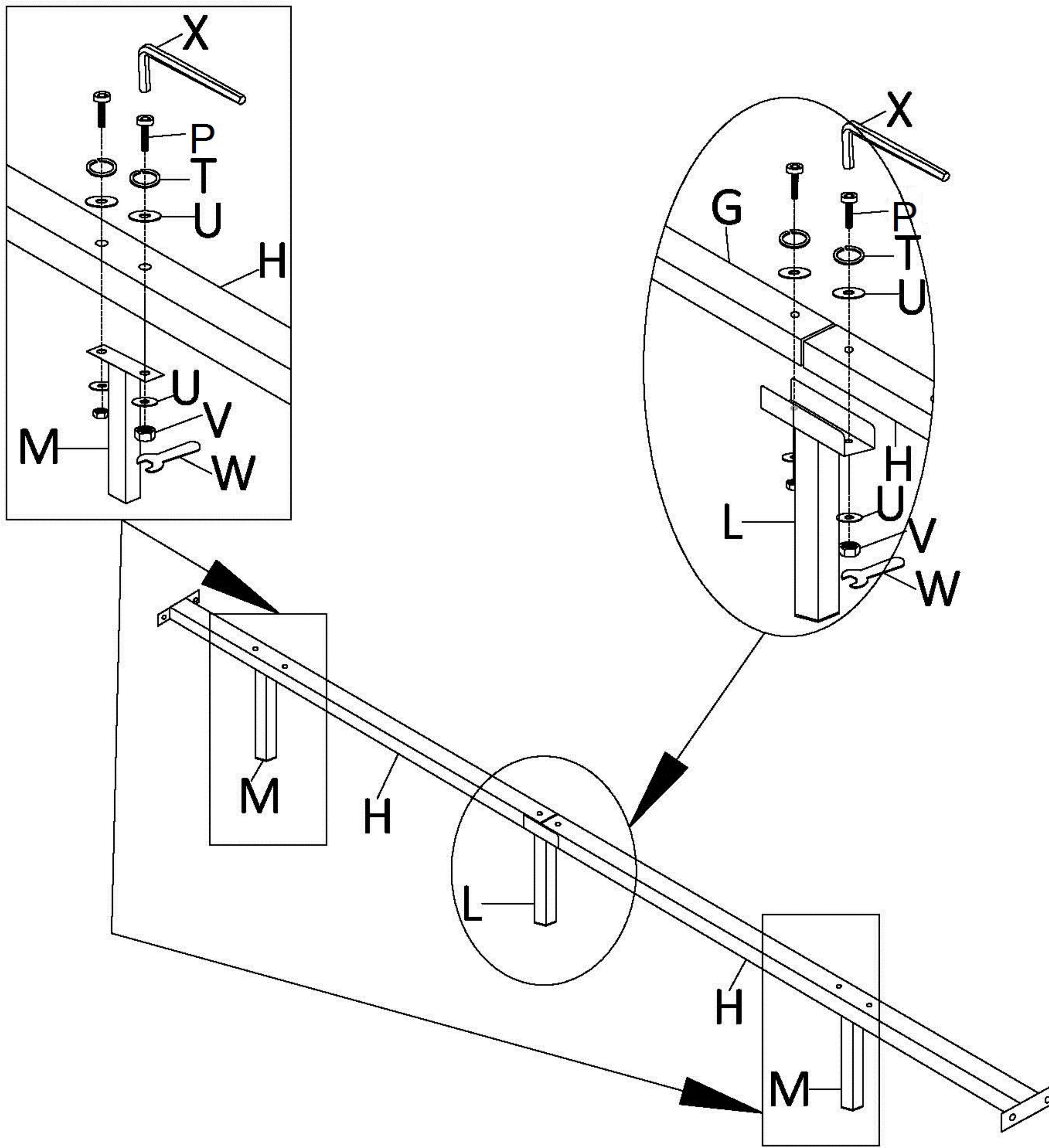
4 ▷



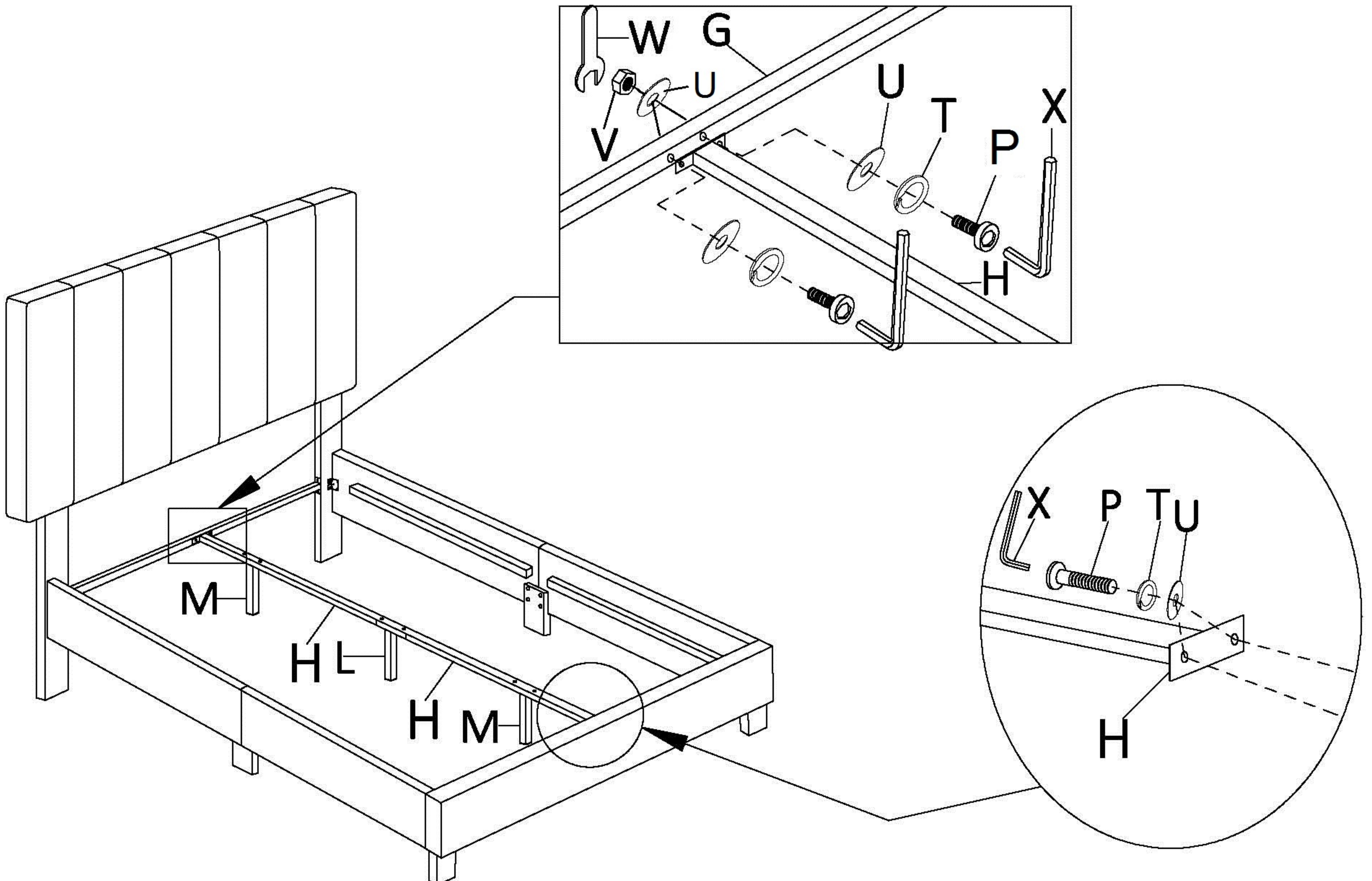
5 ▷



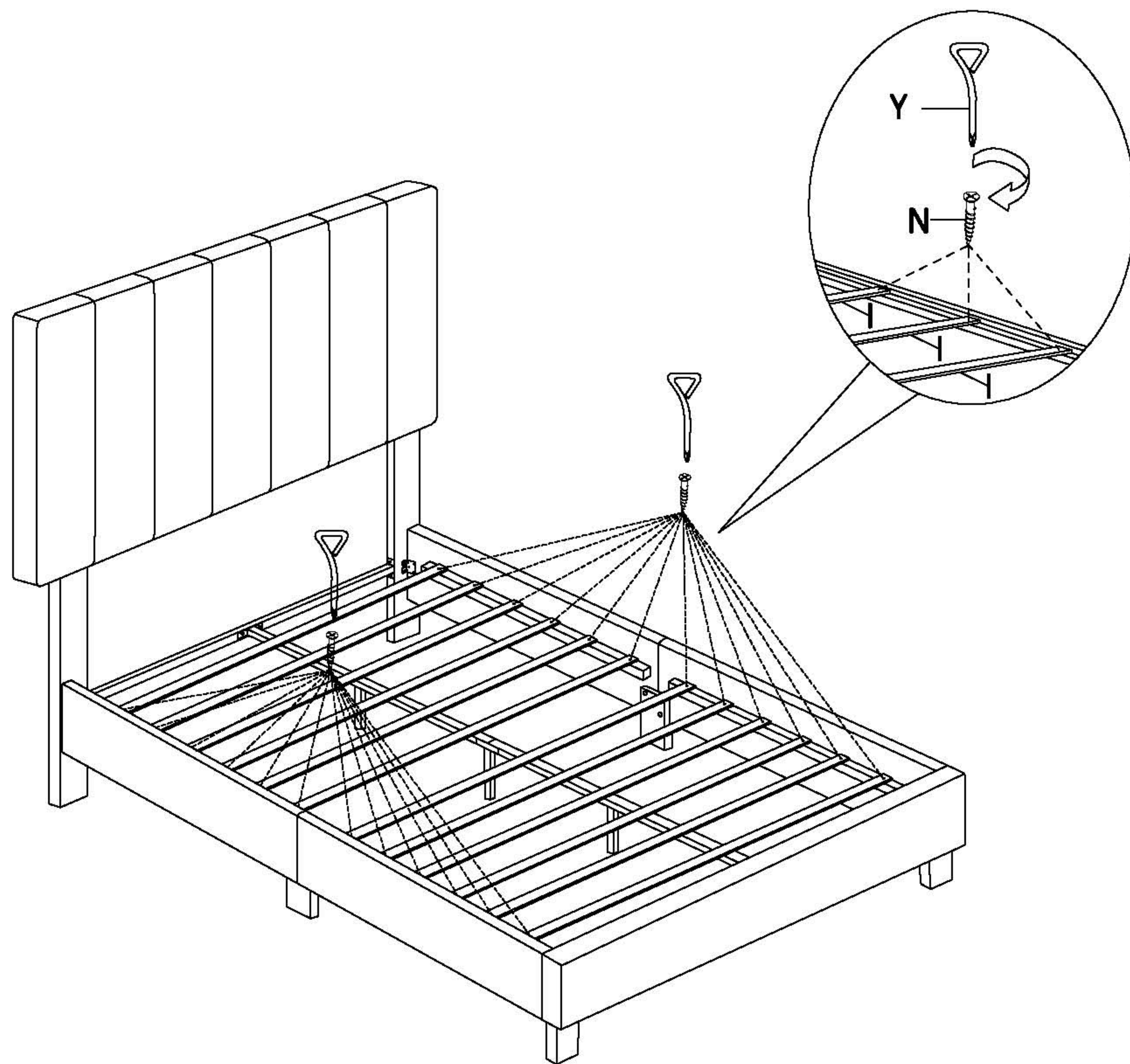
6 ▷



7 ▷



8 ▸



9 ▸

